

Lubrication Equipment

- YZQ Flow Indicator -

INDICATION

YZQ Series Features:

- Two raw materials is available: Casting Iron or SS
- Max. working pressure of 4Mpa/40bar
- Wild medium viscosity grade from N22 up to N460
- 10 Different size for selection from 8mm to 80mm

HUDSUN
INDUSTRY

Lubrication Grease Indicator YZQ Series

**HUDSUN
INDUSTRY CO., LTD**
Making Your  Machine Most Effective

Characteristics of Product: ▼



YZQ series lubrication oil grease flow indicator is used for metallurgical, mining and other industrial sectors of the oil pipeline in lubrication system to observe the flow of oil or grease in the pipeline. Applicable medium viscosity grade N22 ~ N460.

The flow of the arrow on the house of the YZQ series lubrication oil grease flow indicator must be consistent with the actual flow of working medium in the pipeline while connection with pipe line.

Ordering Code: ▼

HS = By Hudsun Industry

YZQ = Oil Grease Lubricating Indicator

HS YZQ - 20 C *

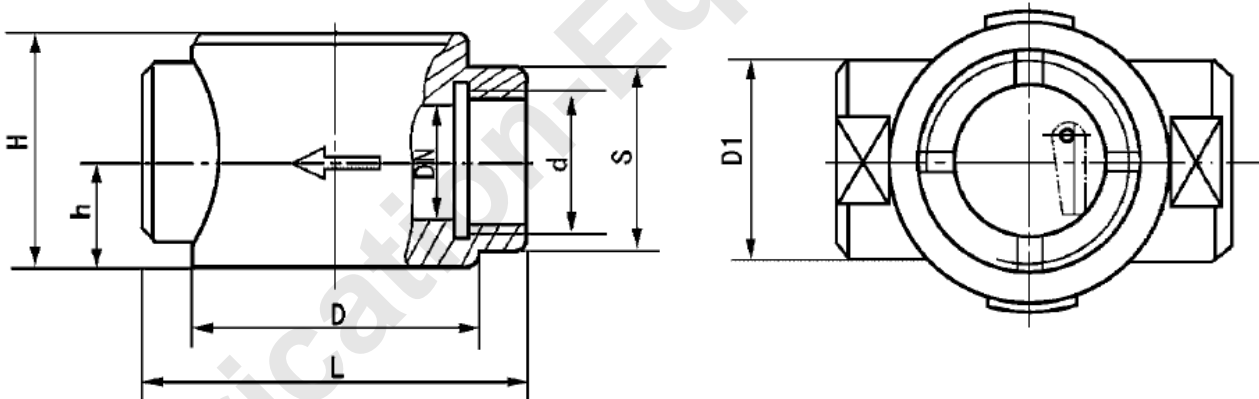
For Further Information

C= Casing Iron (Pointer)

S= Stainless Steel (Trefoil indication)

Size, Please check the dimension chart

Dimensions: ▼



Model	Size(mm)	Max.Pressure	d	L	D	H	h	D1	S
YZQ-8	8	40bar	G1/4"	94	60	57	24	32	24
YZQ-10	10		G3/8"	90		55		35	27
YZQ-15	15		G1/2"	120	75	60	26	50	41
YZQ-20	20		G3/4"			60	26	50	41
YZQ-25	25		G1"	60	26	50	41		
YZQ-32	32		G1 1/4"	140	100	75	35	64	54
YZQ-40	40		G1 1/2"	150	105	92.5	40	85	75
YZQ-50	50		G2"						
YZQ-65	65		G2 1/2"	180	120	120	50	100	90
YZQ-80	80		G3"	200	130	127	57	110	10



**INTERNATIONAL
LUBRICATION EQUIPMENT**

HUDSUN INDUSTRY CO., LTD

No.3 Factory Building, 118 ZhenNingXi Road,
Zhenhai, Ningbo City, Zhejiang Province,
315221 China

Tel: +86-574-86303599

Fax: +86-574-86303380

<http://www.lubrication-equipment.com>