

Lubrication Equipment

- GZQ Flow Rate Indicator -

INDICATION

GZQ Series Features:

- 4 Types of size: 10mm, 15mm, 20mm, 25mm
- Max. working pressure of 0.63Mpa/6.30bar
- Medium: Applicable medium viscosity grade N22 ~ N460.
- Materials Available: Casting Iron and Stainless Steel
- Testing standard JBZQ Technology standard

Flow Rate Indicator GZQ Series

**HUDSUN
INDUSTRY CO., LTD**
Making Your  Machine Most Effective

Characteristics of Product: ▼



GZQ Lubricating flow indicator is used for oil lubricating centralized lubrication system to observe the lubricating flow to lubrication point and adjust the oil supply. Applicable medium viscosity grade N22 ~ N460. And the system piping must be connected according to the provisions of the inlet port and outlet port, and must be installed vertically.

Hudson Industry provides the GZQ-SS series made of stainless steel for special working condition, such as used in chemical industry, seashore equipment, lubrication equipment for shipping, water medium working environment, any other harsh working condition to protect other lubrication device and equipment.

Ordering Code: ▼

HS = By Hudson Industry

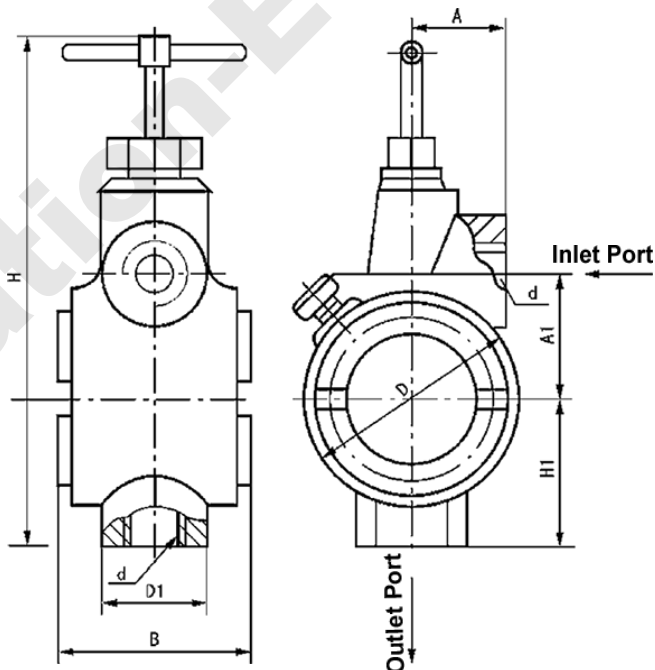
Lubricating Flow Indicator GZQ Series

HS- GZQ - 10 - C

Housing Materials:
C= Made of Casting Iron
S= Made of Stainless Steel

Size (P/N) :
10mm, 15mm, 20mm, 25mm

Dimensions: ▼



Model	Size	Max. Pressure	d	D	B	C	b	H	H1	S	Weight
GZQ-10	10mm	0.63MPa/6.3Bar	G ^{3/8} "	65	58	35	32	14	45	32	1.4kg
GZQ-15	15mm		G ^{1/2} "	65	58	35	32	142	45	32	1.4kg
GZQ-20	20mm		G ^{3/4} "	80	60	28	38	150	60	41	2.2kg
GZQ-25	25mm		G ¹ "	80	60	28	38	150	60	41	2.1kg

Note: Applicable medium viscosity grade is N22~N460



**INTERNATIONAL
LUBRICATION EQUIPMENT**

HUDSUN INDUSTRY CO., LTD

No.3 Factory Building, 118 ZhenNingXi Road,
Zhenhai, Ningbo City, Zhejiang Province,
315221 China

Tel: +86-574-86303599

Fax: +86-574-86303380

<http://www.lubrication-equipment.com>