

# Lubrication Equipment

## - PF-200 Grease Valve -

### INDICATION

PF-200 Series Features:

- Max. operation pressure up to 10Mpa/100bar
- Spray distance up to 200mm, with spray diameter of 120mm
- Small size, fast response to spray grease to parts surface
- Contact us for custom design
- Testing standard JBZQ Technology standard

# Grease Spray Valve PF-200 Series

**HUDSUN  
INDUSTRY CO., LTD**  
Making Your  Machine Most Effective

### Characteristics of Product: ▼

Grease spray valve PF is lubricant, grease quantitative, uniform spray valve pushing by air to spray the grease to the surface of working parts quantitatively and evenly in order to main its service life and strong its operation feature. Grease spray valve PF-200 series is suitable for lubrication of large open gears (such as ball mill, rotary kiln, excavator, blast furnace distributor, etc.) and wire rope and chain in metallurgy, mine, cement, chemical industry and papermaking industries.



### Ordering Code: ▼



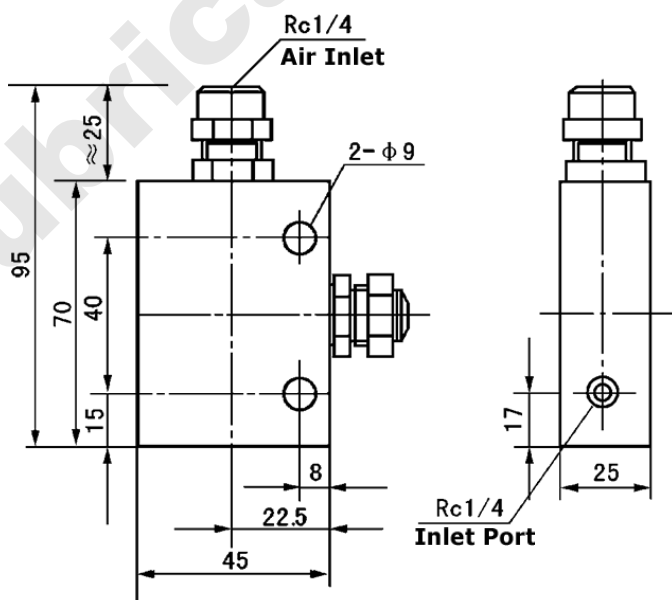
### Technical Data: ▼

Model	Max. Pressure	Spray Distance	Spray Dia.	Min. Spray	Min. Pressure	Air Pressure	Air Consumption	Weight
PF-200	100Mpa	200mm	120mm	1.5mL	1.5Mpa	0.5Mpa	380L/min	0.7kgs

### Note Before Using Of PF Series Grease Spray Valve:

1. The use of grease must be filtered, uniform texture, and in the provisions of the cone penetration and viscosity grade range of use.
2. The air inlet pipe must be set to air three pieces, to ensure clean air, dry, value pressure.
3. Air not allowed to enter the grease tube, so as not to affect the spray.

### Dimensions: ▼





# INTERNATIONAL LUBRICATION EQUIPMENT

**HUDSUN INDUSTRY CO., LTD**

No.3 Factory Building, 118 ZhenNingXi Road,  
Zhenhai, Ningbo City, Zhejiang Province, 315221 China  
Tel: +86-574-86303599  
Fax: +86-574-86303380  
<http://www.lubrication-equipment.com>