

Lubrication Equipment

- DW/SSPQ-L Distributor -

INDICATION

DW/SSPQ-L Series Features:

- Dual line grease / oil distributor
- Size of 2 / 3 / 4 / 5 for optional
- Max. working pressure up to 21Mpa
- DW-22H (2SSPQ-L1) ; DW-24H (4SSPQ-L1) ; DW-26H (6SSPQ-L1) ; DW-28H (8SSPQ-L1)
- DW-32H (2SSPQ-L2) ; DW-34H (4SSPQ-L2) ; DW-36H (6SSPQ-L2) ; DW-38H (8SSPQ-L2)
- DW-42H (2SSPQ-L3) ; DW-44H (4SSPQ-L3) ; DW-46H (6SSPQ-L3) ; DW-48H (8SSPQ-L3)
- DW-52H (2SSPQ-L4) ; DW-54H (4SSPQ-L4) ; DW-56H (6SSPQ-L4) ; DW-58H (8SSPQ-L4)
- Testing standard JBZQ Technology standard

Distributing Valve DW/SSPQ Series

**HUDSUN
INDUSTRY CO., LTD**
Making Your  Machine Most Effective

Characteristics of Product: ▼



Grease lubricant distributor of DW series with 2 outlet ports are dual line grease lubrication divider valves. All of the outlet ports are located on the top and bottom side, it discharges grease or oil from the bottom and top lubrication outlet ports when piston positive and negative movement alternately of piston. The number of outlet ports can be preset by blocking or connection the ports.

The DW series of grease lubricant distributor is used for the 210bar dual line grease centralize system as the lubricant metering device, it is operated by two pipes grease supply alternately, pushing the piston movement directly and discharge oil or grease to each lubrication points with fixed quantity.

Ordering Code: ▼

6 SSPQ - L 1

Number of discharging port: 2 / 4 / 6 / 8

Dual line distributor

Max. working pressure 200bar/ 20Mpa

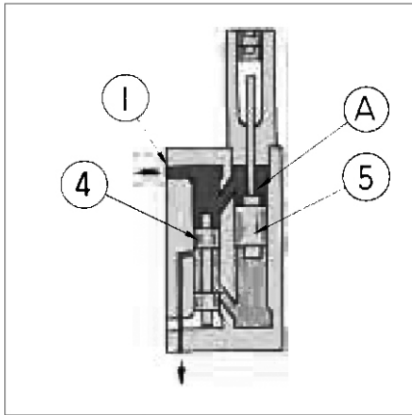
Series number of grease feeding volume

Technical Data: ▼

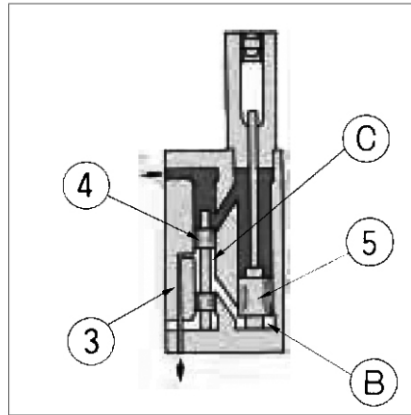
Model	Feeding Port	Max. Pressure	Working Pressure	Discharging Quantity (mL/stroke)		Loss Amount	Adjustment per rotation of screw	Weight
				Max.	Min.			
DW-22H	2SSPQ-L1	21MPa	≈1.8Mpa	0.6	0.15	0.17mL	0.04mL	0.5kg
DW-24H	4SSPQ-L1	21MPa	≈1.8Mpa	0.6	0.15	0.17mL	0.04mL	0.8kg
DW-26H	6SSPQ-L1	21MPa	≈1.8Mpa	0.6	0.15	0.17mL	0.04mL	1.1kg
DW-28H	8SSPQ-L1	21MPa	≈1.8Mpa	0.6	0.15	0.17mL	0.04mL	1.4kg
DW-32H	2SSPQ-L2	21MPa	≈1.5Mpa	1.2	0.2	0.20mL	0.06mL	1.4kg
DW-34H	4SSPQ-L2	21MPa	≈1.5Mpa	1.2	0.2	0.20mL	0.06mL	2.4kg
DW-36H	6SSPQ-L2	21MPa	≈1.5Mpa	1.2	0.2	0.20mL	0.06mL	3.4kg
DW-38H	8SSPQ-L2	21MPa	≈1.5Mpa	1.2	0.2	0.20mL	0.06mL	4.4kg
DW-42H	2SSPQ-L3	21MPa	≈1.5Mpa	2.5	0.6	0.20mL	0.10mL	1.4kg
DW-44H	4SSPQ-L3	21MPa	≈1.5Mpa	2.5	0.6	0.20mL	0.10mL	2.4kg
DW-46H	6SSPQ-L3	21MPa	≈1.5Mpa	2.5	0.6	0.20mL	0.10mL	3.4kg
DW-48H	8SSPQ-L3	21MPa	≈1.5Mpa	2.5	0.6	0.20mL	0.10mL	4.4kg
DW-52H	2SSPQ-L4	21MPa	≈1.2Mpa	5.0	1.2	0.20mL	0.15mL	1.4kg
DW-54H	4SSPQ-L4	21MPa	≈1.2Mpa	5.0	1.2	0.20mL	0.15mL	2.4kg
DW-56H	6SSPQ-L4	21MPa	≈1.2Mpa	5.0	1.2	0.20mL	0.15mL	3.4kg
DW-58H	8SSPQ-L4	21MPa	≈1.2Mpa	5.0	1.2	0.20mL	0.15mL	4.4kg

Note: The use of medium cone penetration 265 (25 °C, 150g) 1 / 10mm grease (NLGI0 # ~ 1 #) or viscosity grade greater than N68 lubricating oil. Use the ambient temperature is -10 °C ~ 80 °C; medium for lubricating oil, the pressure can be used under 10MPa.

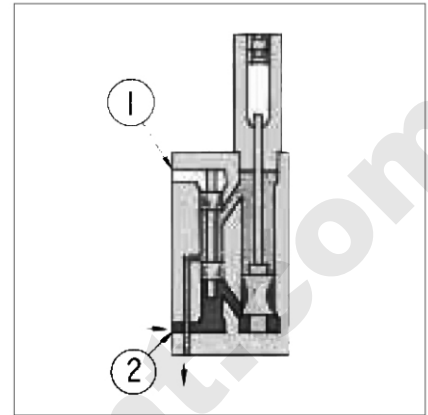
DW, SSPQ-L Work Principle:



When the supply line ① is pressurized, the pilot piston ④ is pushed down, and grease or oil moves into the A chamber above the main piston ⑤, which is pushed down.

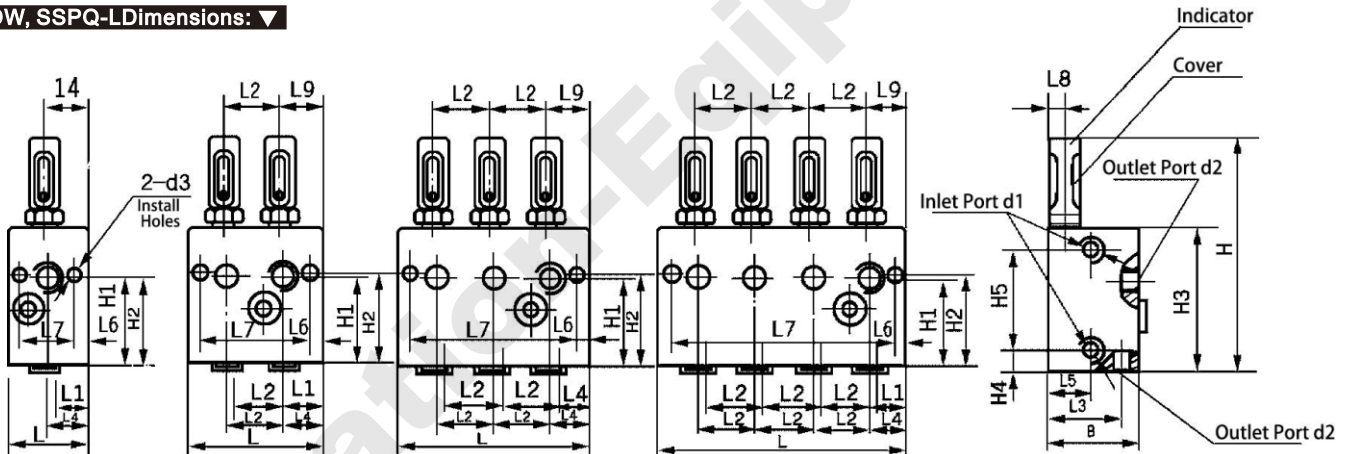


When the main piston ⑤ is pushed down, lubricant in the B chamber below is discharged from the discharging port to the supply line through the small bore C tube of the pilot piston ④.



Then the supply line is switched, the supply line ② is pressurized, and the supply line ① is opened to the tank; lubricant is discharged to the supply line in the same sequence as the operation described before.

DW, SSPQ-L Dimensions:



Model	L	B	H	L1	L2	L3	L4	L5	L6	L7	L8	L9	H1	H2	H3	H4	H5	d1	d2	d3
2SSPQ-L1	36	40	81	17	32.5	18	21	6	6	24	8	18	33	34	54	8.5	37	Rc1/4	Rc1/8	7
4SSPQ-L1	41																			
6SSPQ-L1	58																			
8SSPQ-L1	75																			
2SSPQ-L2	44	120	18	32	44	22	27	7	7	30	12	24	47	52	79	11	57	Rc3/8	Rc1/4	9
4SSPQ-L2	62																			
6SSPQ-L2	94																			
8SSPQ-L2	126																			
2SSPQ-L3	44	137	54	32	44	22	27	7	7	30	12	24	47	52	79	11	57	Rc3/8	Rc1/4	9
4SSPQ-L3	62																			
6SSPQ-L3	94																			
8SSPQ-L3	126																			
2SSPQ-L4	44	137	54	32	44	22	27	7	7	30	12	24	47	52	79	11	57	Rc3/8	Rc1/4	9
4SSPQ-L4	62																			
6SSPQ-L4	94																			
8SSPQ-L4	126																			



**INTERNATIONAL
LUBRICATION EQUIPMENT**

HUDSUN INDUSTRY CO., LTD

No.3 Factory Building, 118 ZhenNingXi Road,
Zhenhai, Ningbo City, Zhejiang Province, 315221 China
Tel: +86-574-86303599
Fax: +86-574-86303380
<http://www.lubrication-equipment.com>