

Lubrication Equipment

- KMPS Pump -

INDICATION

KMPS Series Features:

- Manual operation pump
- Grease reservoir from 2L-6L
- Medium: NLGI 0# ~ 1# of American standard grease classification
- Contact us for custom design
- Testing standard HSJB Technology standard

Lubrication Grease Pump KMPS Series



**HUDSUN
INDUSTRY CO., LTD**

Making Your Machine Most Effective

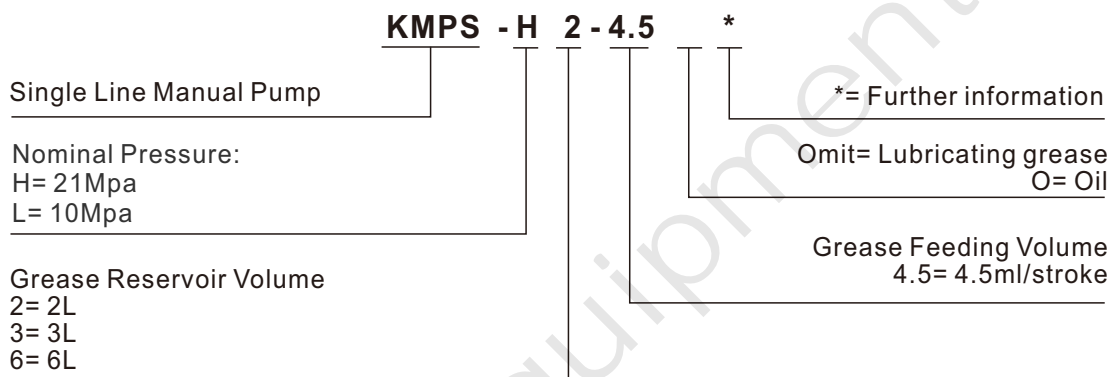
Characteristics of Product:



Manual lubrication pump KMPS series is manually operated, single line grease lubrication pump, is available to install at the wall or shelf of the machines, the KMPS is be able to connect with single line divider to become a centrally manual working lubrication system.

Manual lubrication pump KMPS series is suitable for low lubricating frequency (General lubricating interval for more than 4 hours), piping not more than 50 meters in length, single small equipment lubrication point of not more than 100 points, as a single line grease lubricating feeding device.

Ordering Code:



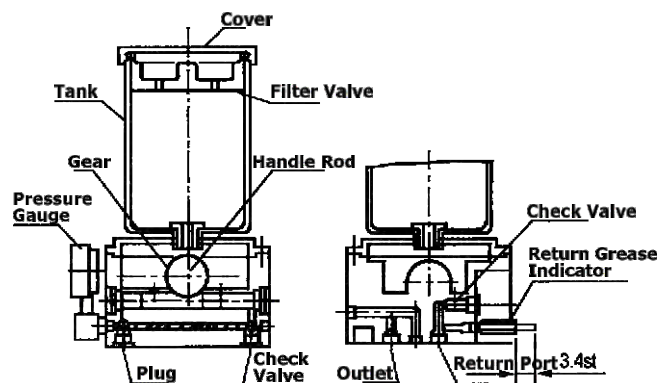
Technical Data:

Model	Nominal Pressure	Feeding Volume	Tank Volume	Weight	Medium
KMPS-H2	21 Mpa	4.5ml/stroke	2L	16kg	NLGO0#-1#
KMPS-H3	21 Mpa	4.5 ml/stroke	3L	20kg	NLGO0#-1#
KMPS-H6	21 Mpa	4.5 ml/stroke	6L	23kg	NLGO0#-1#
KMPS- L2	10 Mpa	4.5 ml/stroke	2L	16kg	Oil

Working Principle:

Manual lubrication pump is an operated by handle, to achieve the reciprocating movement through the gear drive rack piston to supply grease, when the piston is in the limit position, the lubricating grease is sucked in by the inlet port and is filled in the right cavity of the piston. When the piston moves to the right, the grease sucked in is under the high pressure will have the power to open the one way check valve and delivery the grease to outlet port.

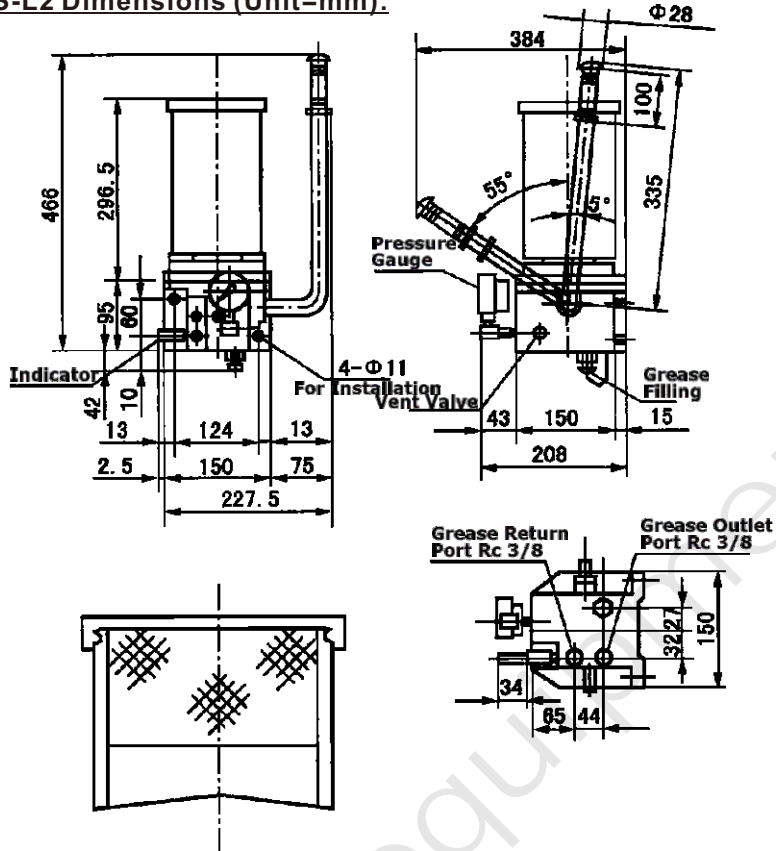
When the main metering distributor in lubrication system shows lubricating volume up to 3.2mL and all of the piston rods are pulled up, which means that the lubrication requirement points has been filled in grease. Next stop pressing the handle and pulling the piston rod of metering distributor back, the grease in indicator comes back to grease volume through the check valve.



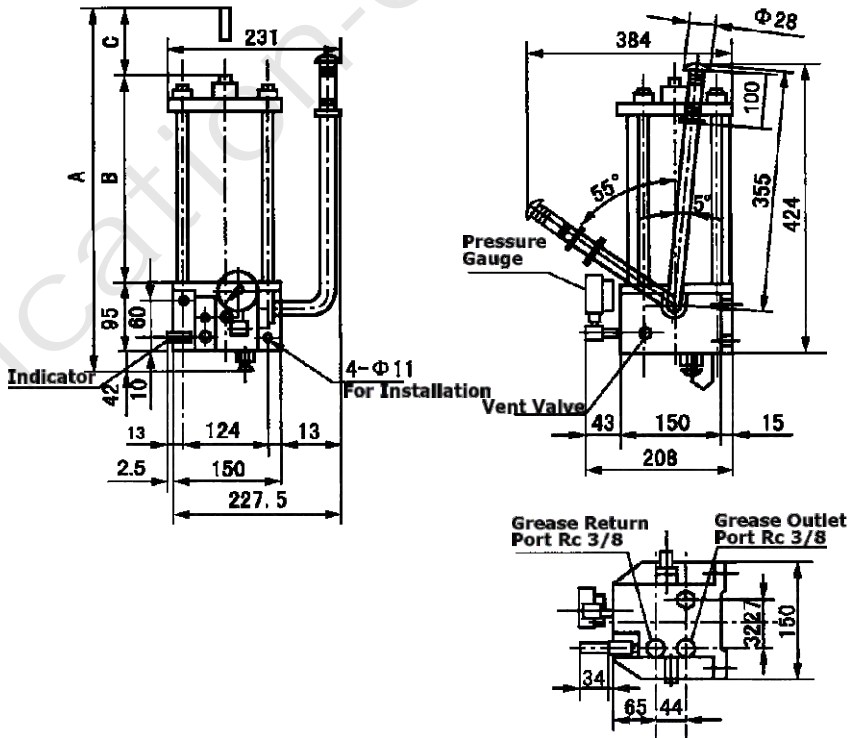


Installation Dimensions:

KMPS-H2, KMPS-L2 Dimensions (Unit=mm):



KMPS-H3, KMPS-H6 Dimensions (Unit=mm):



Model	A	B	C
KMPS-H3	662mm	300mm	225mm
KMPS-H6	1112mm	525mm	450mm



**INTERNATIONAL
LUBRICATION EQUIPMENT**

HUDSUN INDUSTRY CO. LTD

No.3 Factory Building, 118 ZhenNingXi Road,
Zhenhai, Ningbo City, Zhejiang Province, 315221 China
Tel: +86-574-86303599
Fax: +86-574-86303380
<http://www.lubrication-equipment.com>