

Lubrication Equipment

- YZF-J4 Grease Valve -


INDICATION

YZF-J4 Series Features:

- Max. operation pressure up to 10Mpa/100bar
- Pressure adjustable from 3.5Mpa ~ 4.5Mpa
- Combination of pressure and electric signal control
- Contact us for custom design
- Testing standard JBZQ Technology standard

Pressure Switch Valve YZF-J4 Series

**HUDSUN
INDUSTRY CO., LTD**

Making Your  Machine Most Effective

Characteristics of Product:

Grease pressure switch valve YZF-J4 series is Lubricating, grease pressure differential control, directional switch valve, is a device to transfer the pressure differential to electric signal directly specifically designed to control the direction switch of the valve, installed at the end of main pipe of dual line, electric terminal type central lubrication system with nominal pressure of 10Mpa.

The house of grease pressure switch valve YZF-J4 series and the travel switch are mounted on a base plate. Grease or oil is pressurized into left (right) chamber through main pip while the right (left) chamber unloading the pressure. Once the pressure difference between the two main pipe up to 3.5 ~ 4.5Mpa, the piston is to overcome the spring force to the right (left) movement, so that the travel switch contact closed, the signal to control the solenoid valve to switch, the reverse movement to complete a cycle of work.



Ordering Code:

YZF - J 4

Grease Pressure Switch Valve YZF-J4 Series

Max. Pressure 10Mpa/100bar

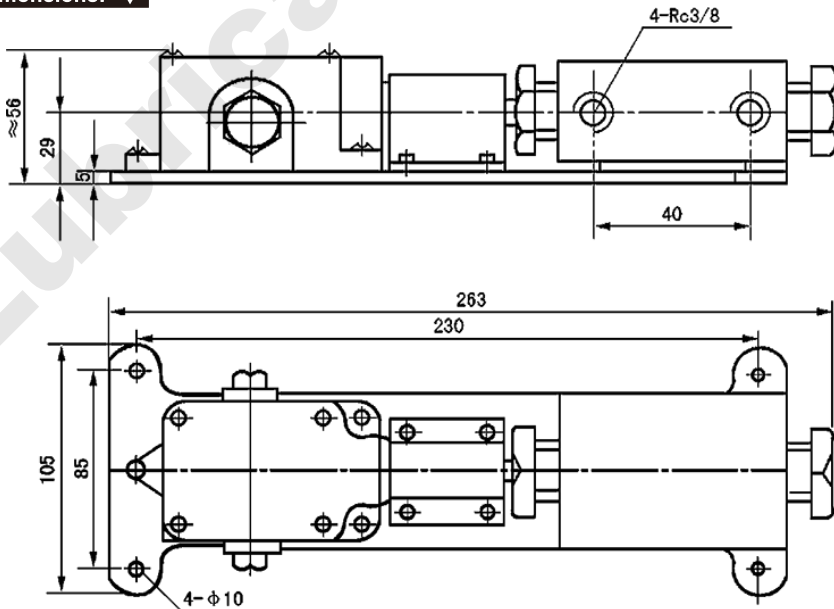
Pre-setting Pressure

Technical Data:

Model	Max. Pressure	Preset Pressure	Adj. Pressure	Size	Travel Switch				Weight
					Model	Current	Voltage	Stroke	
YZF-J4	10 MPa	4 Mpa	3.5~4.5 Mpa	10mm	LX3-11H	6A	500VAC	9±1	2.7kgs

Note: (NLI0 # ~ 2 #) having a cone penetration degree of 265 to 385 (25C, 150 g) 1/10 mm was used as the medium

Dimensions:



Note: Grease pressure switch valve YZF-J4 series should be installed in the place with ventilation, dry, easy to observe, and it should also be installed at the end of the two main pipeline. After the installation of grease pressure switch valve YZF, the grease inside should be renewed.



**INTERNATIONAL
LUBRICATION EQUIPMENT**

HUDSUN INDUSTRY CO., LTD

No.3 Factory Building, 118 ZhenNingXi Road,
Zhenhai, Ningbo City, Zhejiang Province, 315221 China
Tel: +86-574-86303599
Fax: +86-574-86303380
<http://www.lubrication-equipment.com>